



VERINA 200

MAX. SW. LEN.	2000
MAX. SW. DIA.	200
MAX. SW. DIA. 2ND	100
MAX. SW. DIA. 3RD	50





CNC-TAKANG









USER'S MANUAL

Read this manual carefully before operating the machine. It contains important information regarding safety, operation, and maintenance. Keep this manual in a safe place for future reference.

1. Safety Information

2. Operation

3. Maintenance

4. Troubleshooting

5. Appendix



CNC-T



RS232 INTERFACE

STOP



STOP

CNC-TAKANG

















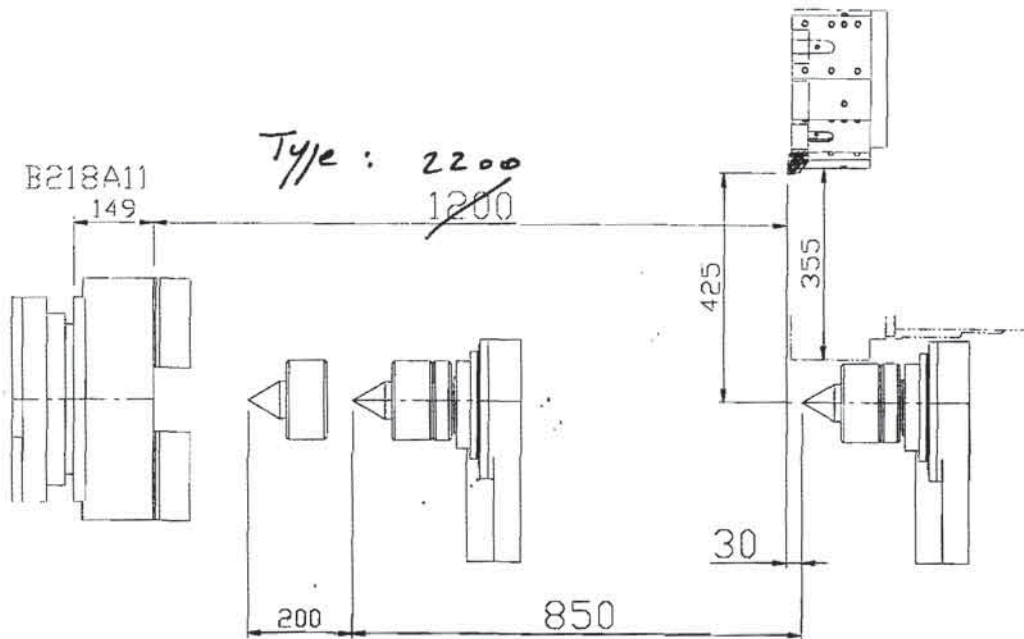
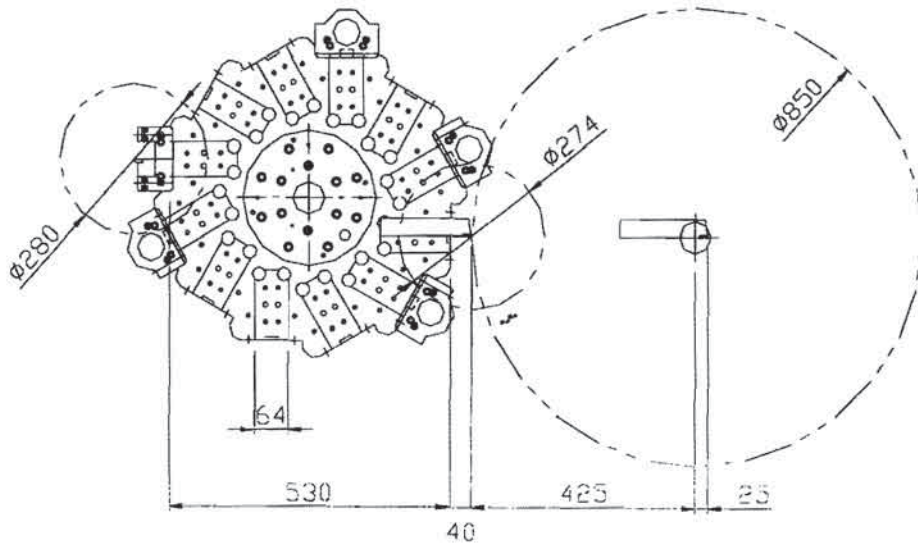








2. TURRET INTERFERENCE DIAGRAMS



CNC-TAKANG CO., LTD.

NO.72, ALLEY 7, LANE 98, 1ST ROAD,
TAICHUNG INDUSTRY PARK, TAICHUNG,
TAIWAN.

TEL : 886-4-23596056

FAX : 886-4-23596064

Model : VR30M X 2200

Serial No. : GA0920203

MFG Date : 2009 03

Weight : 17050 KGS

Voltage AC : 380 Volt 3 PH 750 HZ

Power Requirement : 60 KVA

Air Requirement : 8 Bar

VR35N×2200

GEAR LOW	2-300
GEAR MIDDLE	3-640
GEAR HIGH	4-1500